

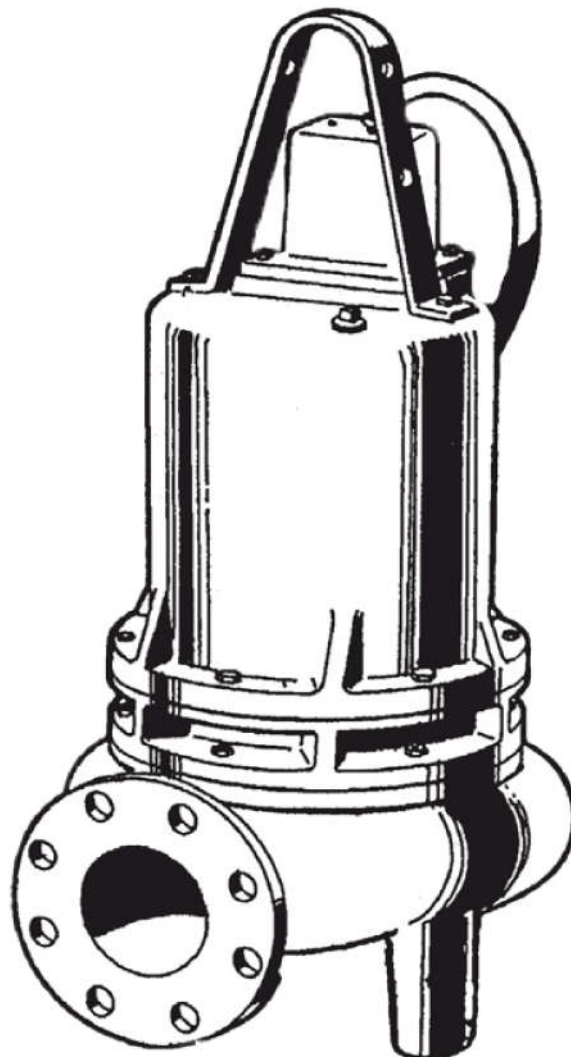
**CRANE**

PUMPS & SYSTEMS

**BARNES**

# 4SE-L – 15 HP

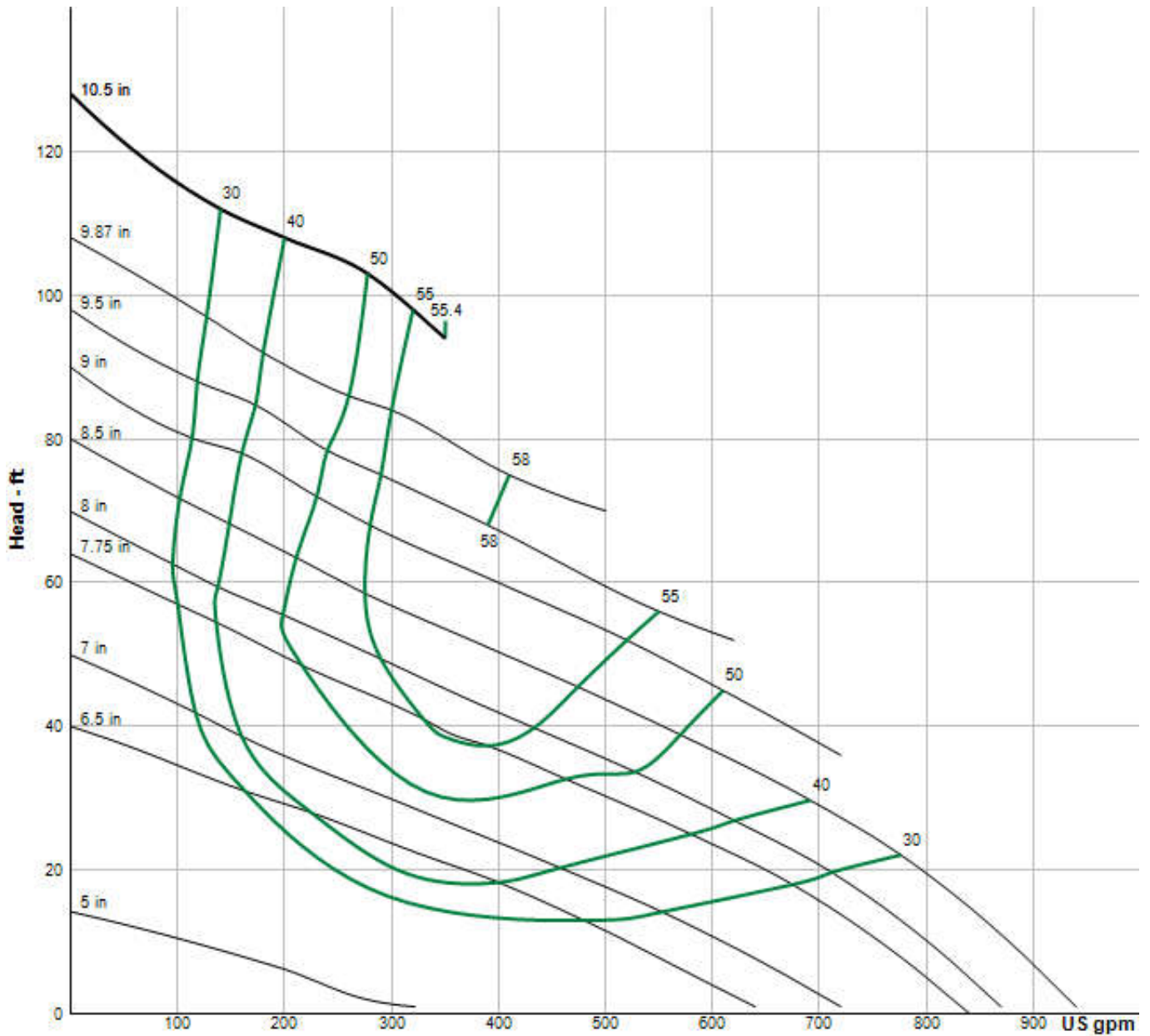
**3" Spherical Solids Handling**



## Specifications

<b>DISCHARGE:</b>	4" 125lb., Horizontal flange
<b>SPEED:</b>	1750 RPM (Nominal)
<b>IMPELLER:</b>	<ul style="list-style-type: none"> <li>• <b>Design:</b> 2 Vane, open with pump out vanes on back side, dynamically balanced, ISO G6.3</li> <li>• <b>Material:</b> Cast iron ASTM A-48, class 30</li> </ul>
<b>CORD ENTRY:</b>	40 ft. (12.1 m) Cord. Epoxy sealed housing with secondary pressure grommet for sealing and strain relief
<b>MOTOR:</b>	<ul style="list-style-type: none"> <li>• <b>Design:</b> NEMA L- single phase, NEMA B - three phase torque curve, oil filled, squirrel cage induction</li> <li>• <b>Winding:</b> Class F, class H rated magnet wire</li> <li>• <b>Service Factor:</b> 1.15</li> </ul>
<b>SEAL:</b>	<ul style="list-style-type: none"> <li>• <b>Design:</b> Double mechanical, oil filled pressure equalized reservoir</li> <li>• <b>Material:</b> Carbon/Ceramic/Buna-N</li> </ul>
<b>LIQUID TEMPERATURE:</b>	104°F (40°C) Continuous
<b>VOLUTE:</b>	Cast iron ASTM A-48, class 30
<b>MOTOR HOUSING</b>	Cast iron ASTM A-48, class 30
<b>SEAL PLATE:</b>	Cast iron ASTM A-48, class 30
<b>SHAFT:</b>	416 Stainless steel
<b>SQUARE RINGS:</b>	Buna-N
<b>HARDWARE:</b>	300 Series stainless steel
<b>PAINT:</b>	Air dry enamel (epoxy optional)
<b>UPPER BEARING:</b>	<p><b>Upper Bearing:</b></p> <ul style="list-style-type: none"> <li>• <b>Design:</b> Single row, ball, oil lubricated</li> <li>• <b>Load:</b> Radial</li> </ul> <p><b>Lower Bearing:</b></p> <ul style="list-style-type: none"> <li>• <b>Design:</b> Single row, ball, oil lubricated</li> <li>• <b>Load:</b> Radial</li> </ul>
<b>DIAPHRAGM</b>	Buna-N
<b>SINGLE PHASE:</b>	Capacitor start/capacitor run. Requires Barnes starter/panel which includes capacitors and overload protection
<b>THREE PHASE:</b>	Dual voltage motor 230/460/575. Requires overload protection to be included in control panel, VFD suitable
<b>MOISTURE SENSOR</b>	Normally open (N/O), requires relay in control panel
<b>TEMPERATURE SENSOR:</b>	Normally Closed (N/C), Requires relay in control panel. For three phase units ONLY

Curves

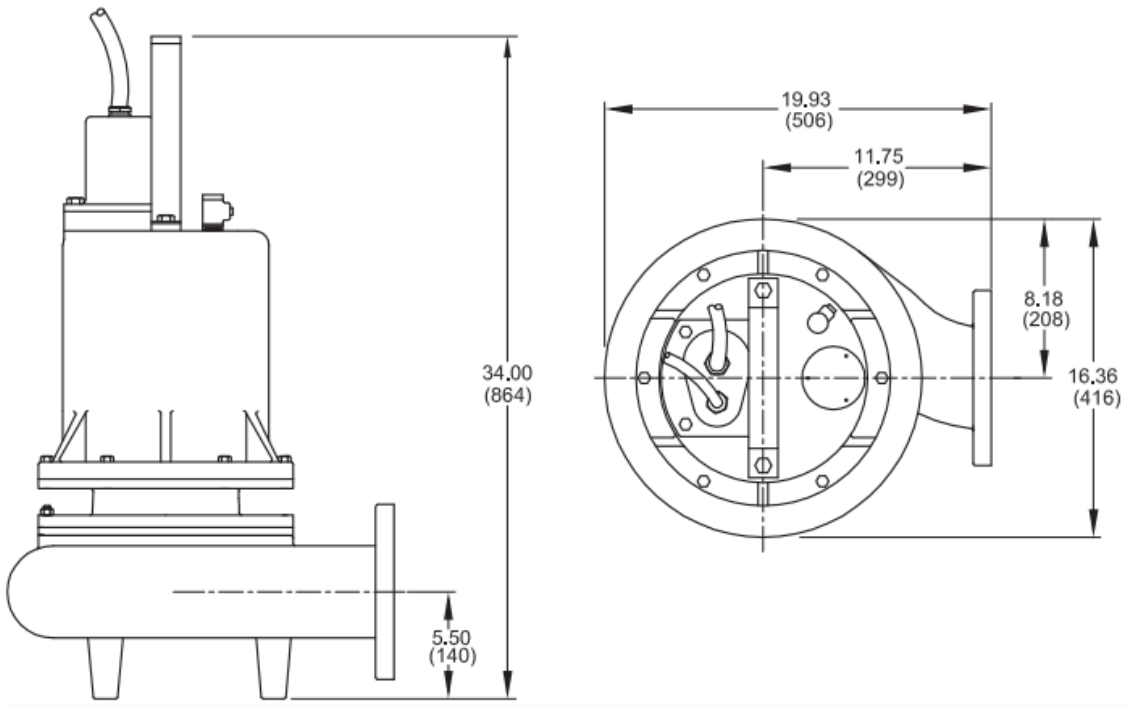



Pump HP	Impeller Dia in. (mm)
4.5	6.50 (165)
7.5	7.00 (178)
11.3	8.00 (203)
15.0	8.50 (216)

**Model Information**

<b>PUMP MODEL NUMBER</b>	<b>4SE15034L</b>	<b>4SE15044L</b>	<b>4SE15054L</b>
<b>PART NUMBER</b>	084634	084635	089309
<b>HP</b>	15	15	15
<b>VOLTAGE/PHASE</b>	230/3	460/3	575/3
<b>HZ</b>	60	60	60
<b>RPM (NOMINAL)</b>	1750	1750	1750
<b>NEMA START CODE</b>	D	D	D
<b>FULL LOAD AMPS</b>	38	19	15.2
<b>LOCKED ROTOR AMPS</b>	160	80	64
<b>CORD SIZE</b>	6/4	6/4	8/4
<b>CORD TYPE</b>	SOW	SOW	SOW
<b>CORD O.D INCH (MM)</b>	1.06 (27)	1.06 (27)	0.830 (21)

Drawing



 All dimensions are in inches (mm)